

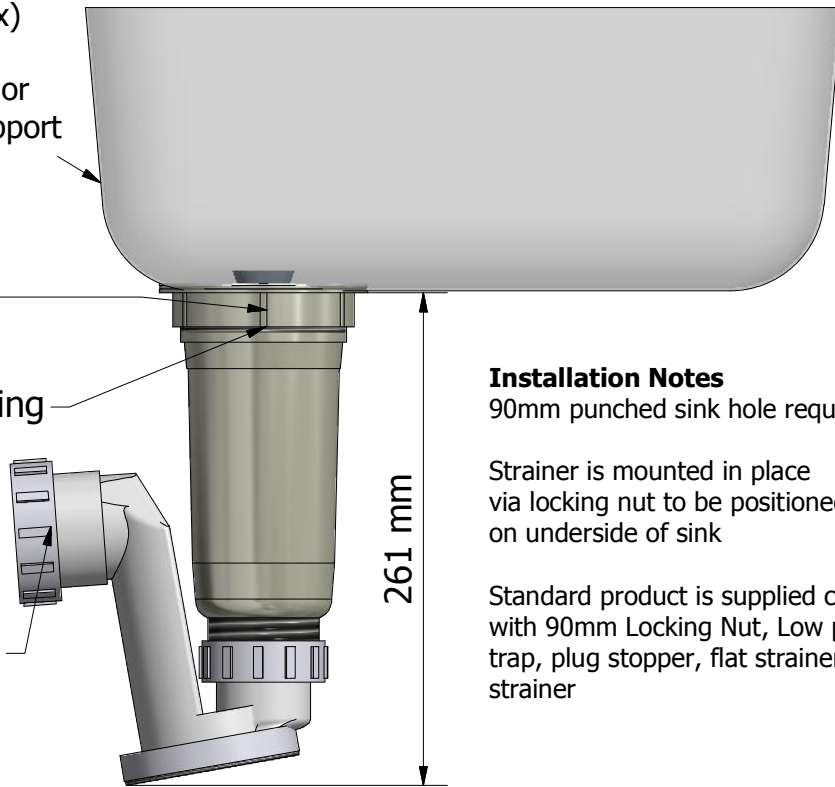
Sinkguard **ST1** Specification

Sink bowl (350mm depth max)
For deeper bowls please provide full sink specification or consult with our technical support

Sink mounting
Nut as supplied

88mm diameter housing

52-55mm U trap
compression fitting



Installation Notes

90mm punched sink hole required.

Strainer is mounted in place via locking nut to be positioned on underside of sink

Standard product is supplied complete with 90mm Locking Nut, Low profile U trap, plug stopper, flat strainer and basket strainer

Components Break out View

Rubber plug stopper

Primary flat strainer

440 gr capacity
strainer basket with
3mm dia perforations

Main housing

Low profile U trap

