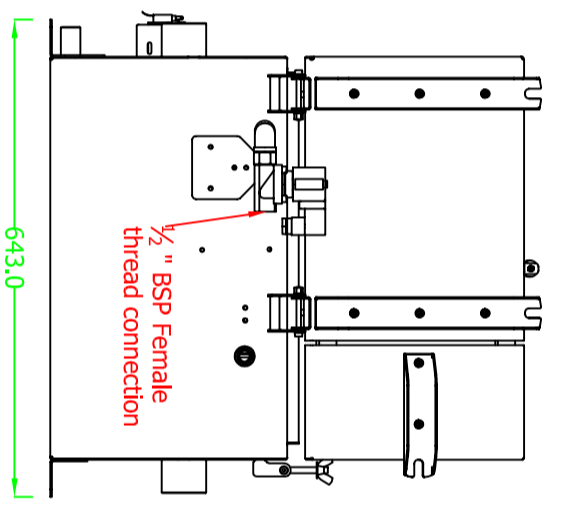


Notes

1. Inlet and Outlet are by threaded pipes 2"
2. Flexible 2" couplers are provided
3. Desludging point is via 3/4" threaded connection
4. A motorised 24V ac valve closes th passage of the oil
5. The motorised valve opens when the unit is in skimming operation
6. Lids are marine type completely sealed
7. Standard material used is SS316 in 1.5mm thickness
8. Can be available in SS304 1.5mm thickness
9. Automatic washing (optional - standard type is manual washing) controlled via a 24V ac solenoid valve controlled via PLC
10. Washing to be provided with hot water (preferably) at 3ATM
11. 220V operating voltage (can be 110V upon request)



Item#	Quantity	Title/Name, designation, material, dimension etc	Article No./Reference
Designed by C Aitard	Checked by	Approved by - date	Filename D1MRN Date 27-6-2017
FM Environmental (Malta) Ltd			D1 Marine L--> R
Edition 0			Sheet 1/1