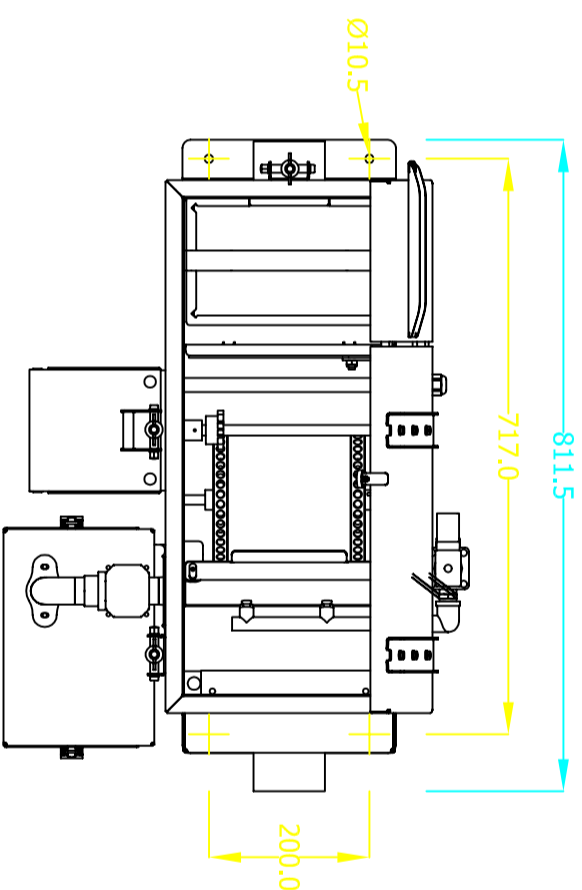
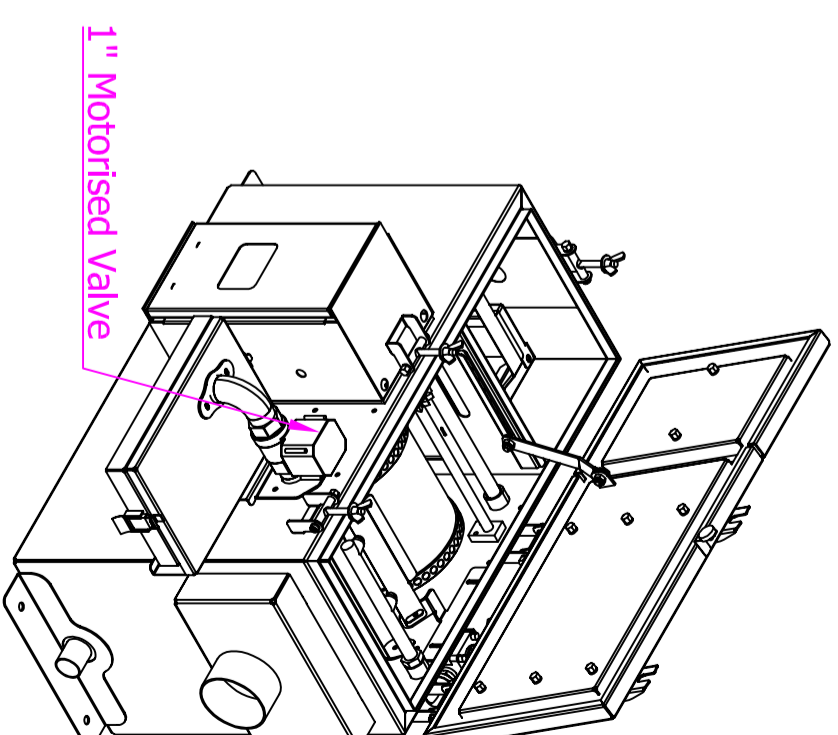


ISO - BACK

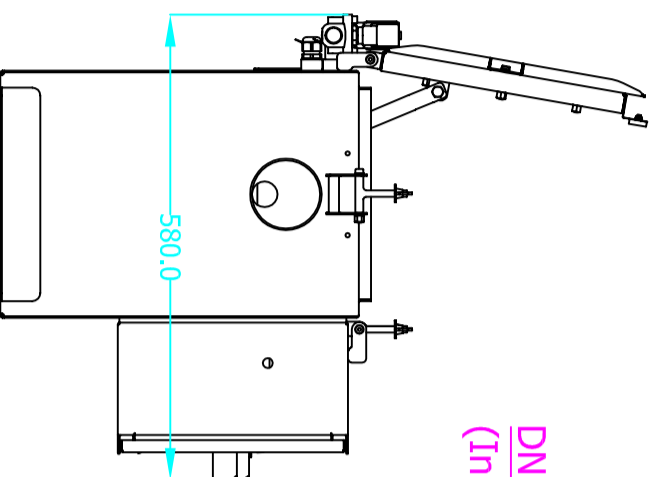


FRONT ELEVATION

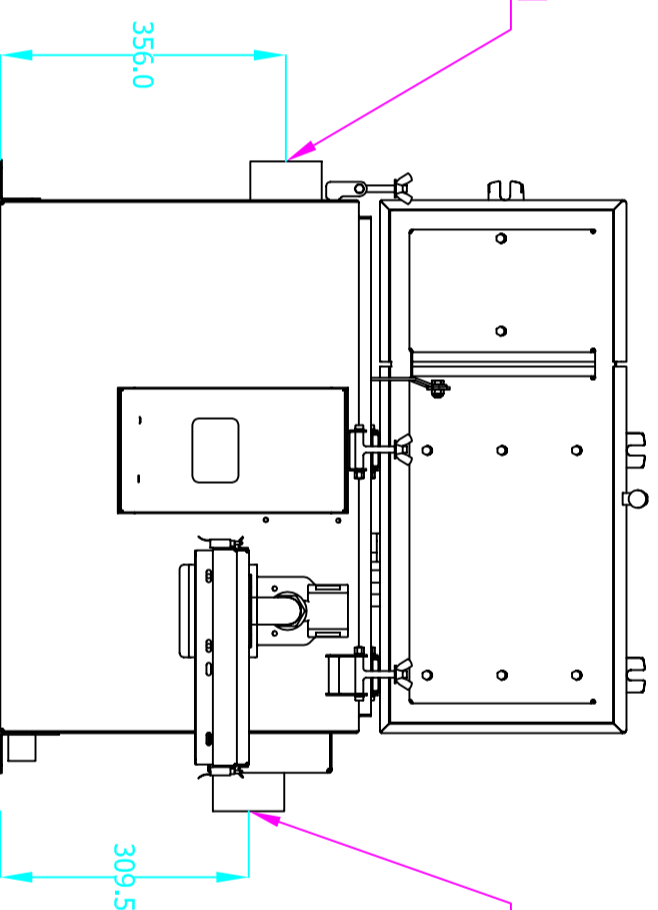
Mounting Points (qty.4 x M10)



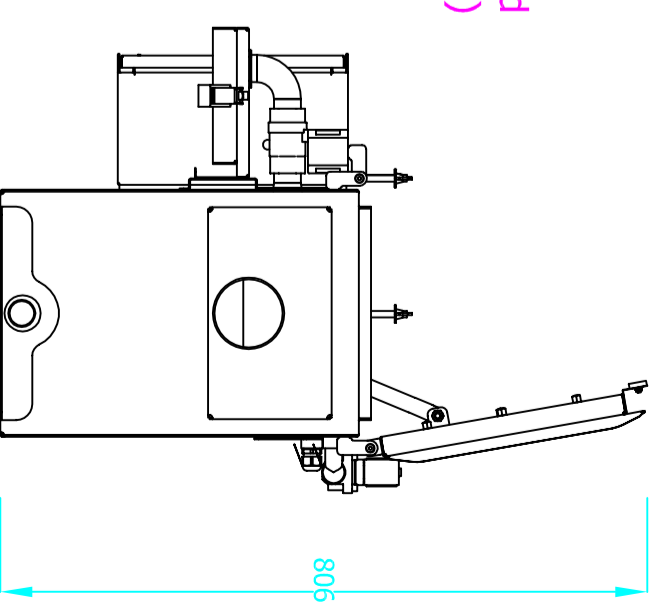
ISO - FRONT



END ELEVATION - INLET SIDE



FRONT ELEVATION



END ELEVATION - OUTLET SIDE