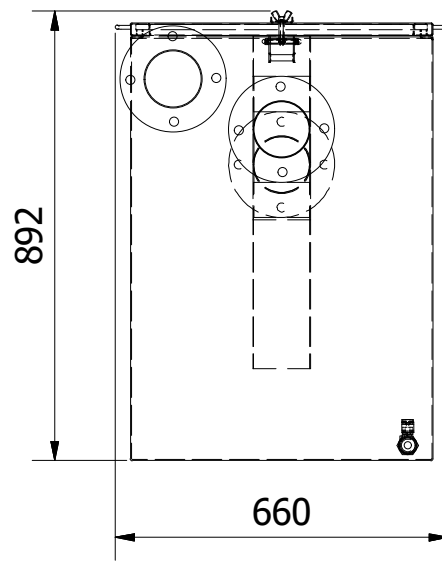


MGNS1 Marine Grease Interceptor
Dimensions in mm

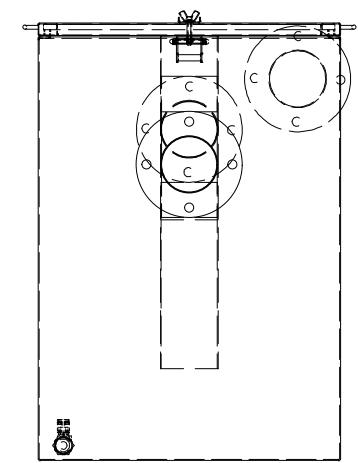
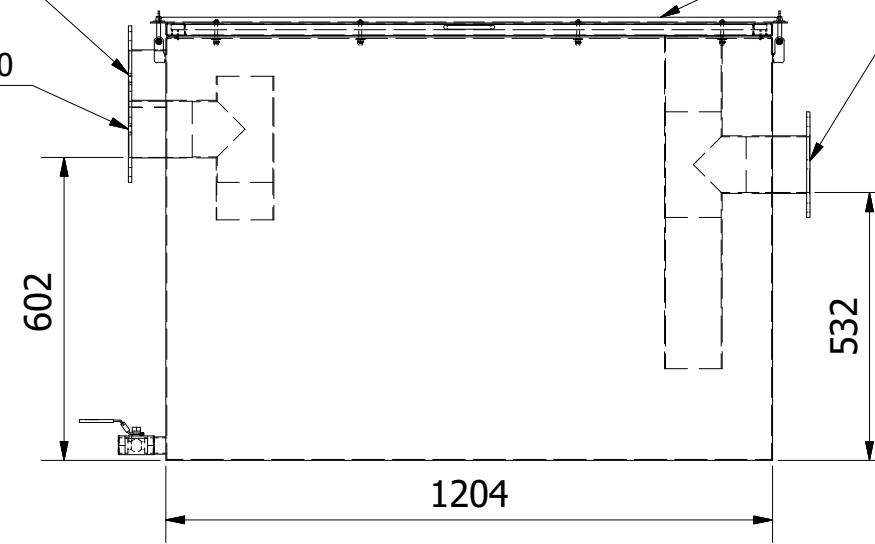


Flanged Ventilation Port DN 100

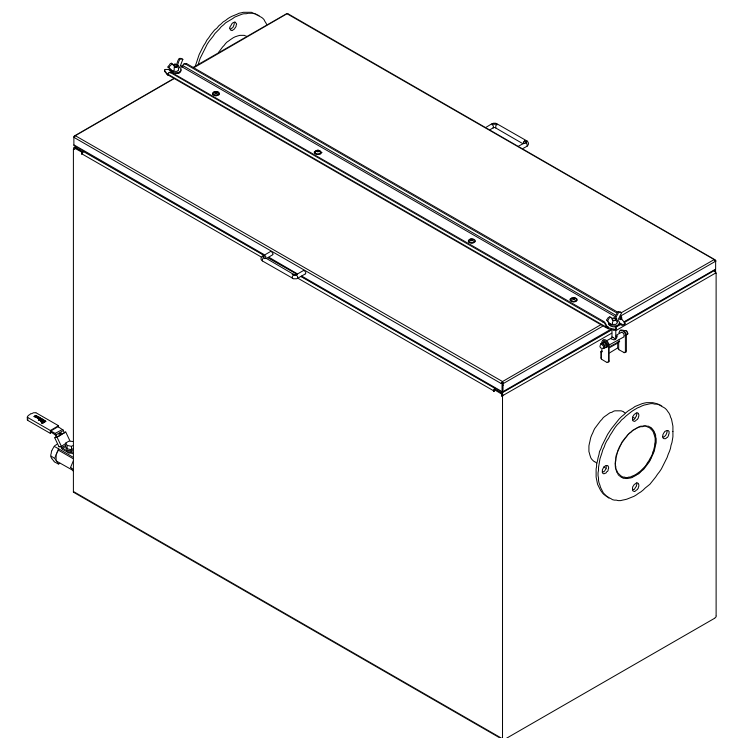
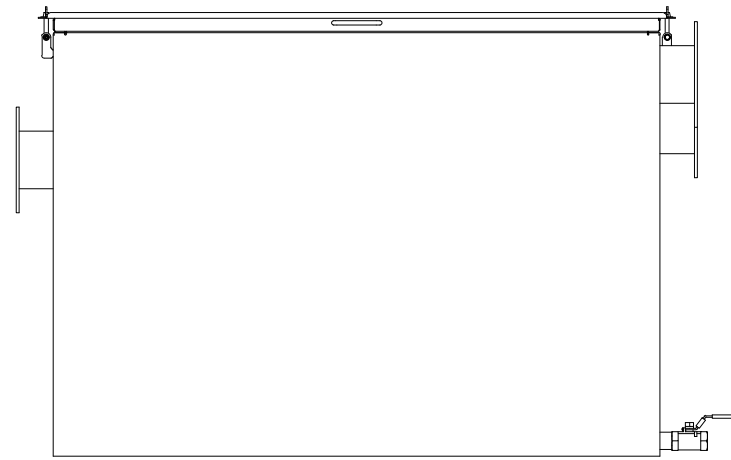
Flanged Inlet, DN 100

Hinged tank Lid

Flanged Outlet DN 100



Allow +500mm height space
above tank to open hinged lid



Notes:

1. Inlet and Outlet are flanged DN 100 connection
2. Lids are marine type completely sealed
3. Lid is hinged. Allow 500mm additional height clearance to open main lid upwards
4. Standard material used is SS316 in 1.5mm thickness
5. Available in SS304 1.5mm thickness