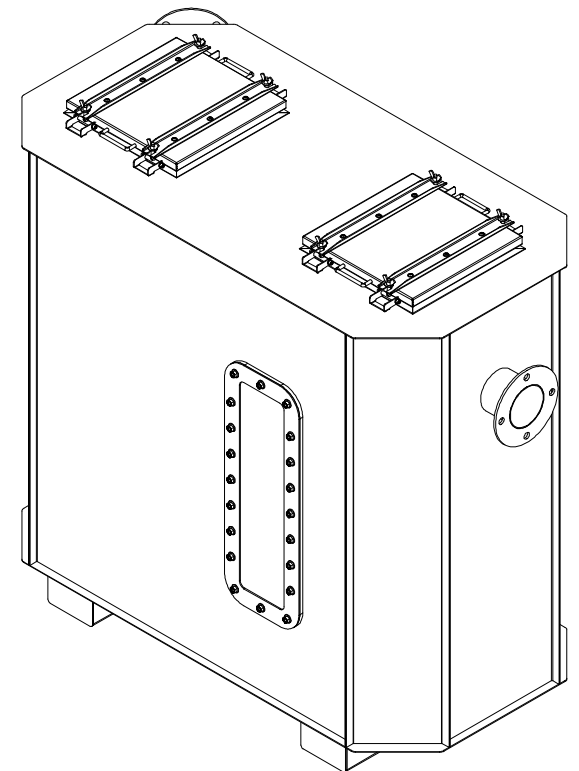
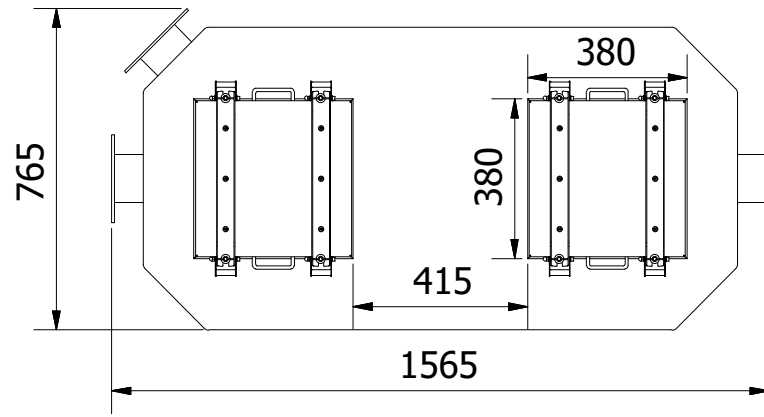
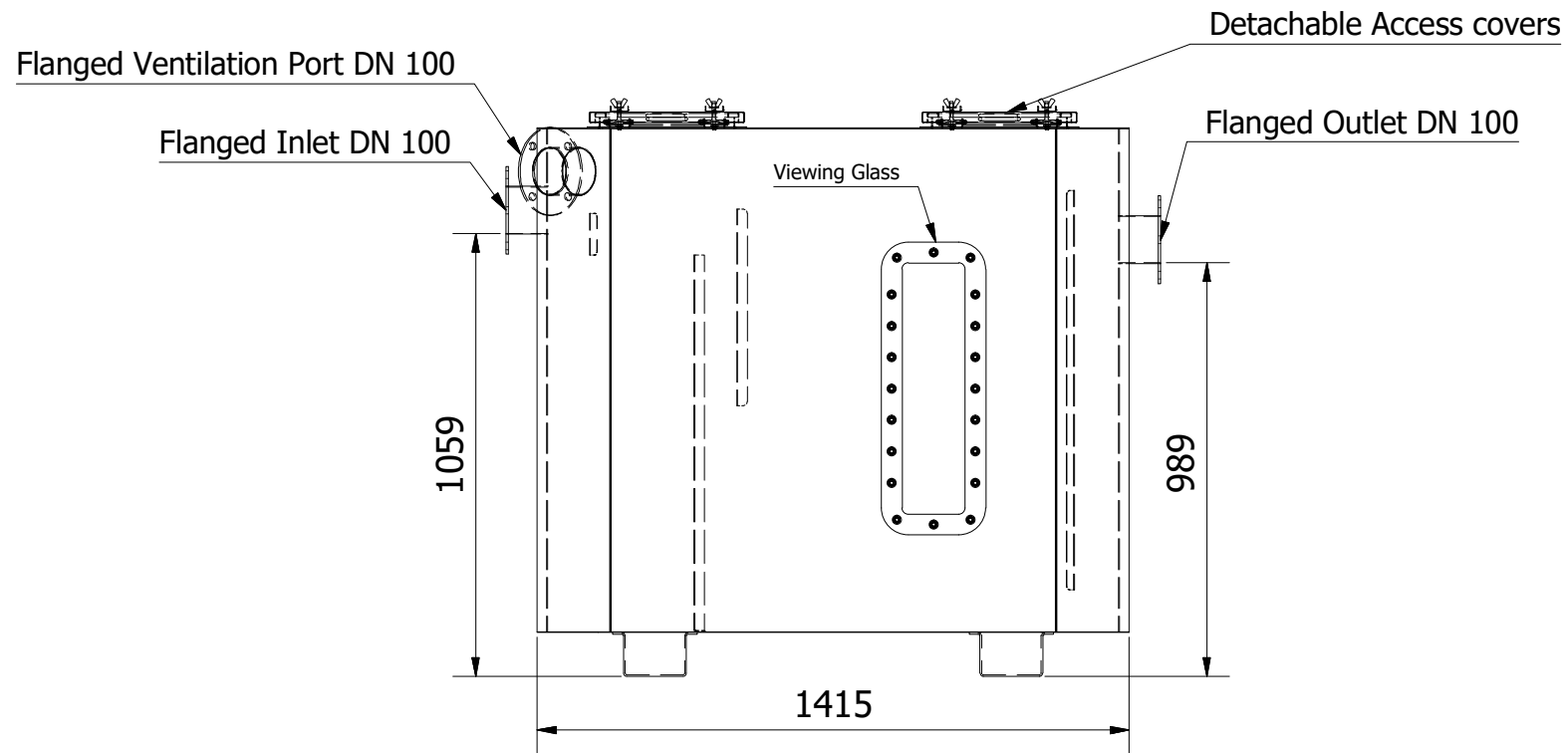
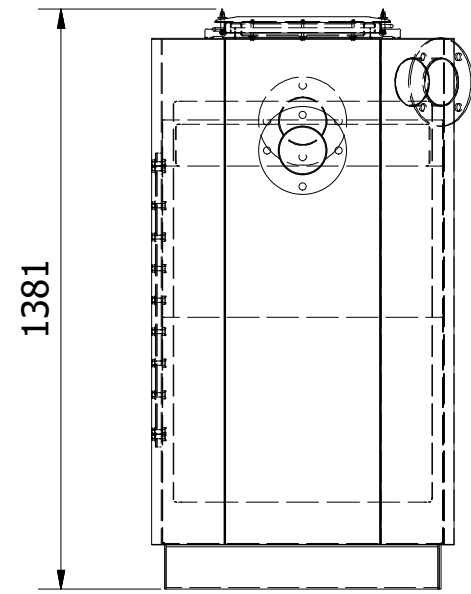


MGNS2 Marine Grease Interceptor  
Dimensions in mm



Notes:

1. Inlet and Outlet are flanged DN 100 connection
2. Access Covers are marine type completely sealed
3. Access Covers are detachable
3. Standard material used is SS316 in 1.5mm thickness
4. Available in SS304 1.5mm thickness

