

MGT1B manual marine Grease Interceptor
Dimensions in mm

Lift Out Basket

700

Threaded Inlet
2 inch (60.3mm OD)

Threaded Outlet
2 inch (60.3mm OD)

336

340

205

600

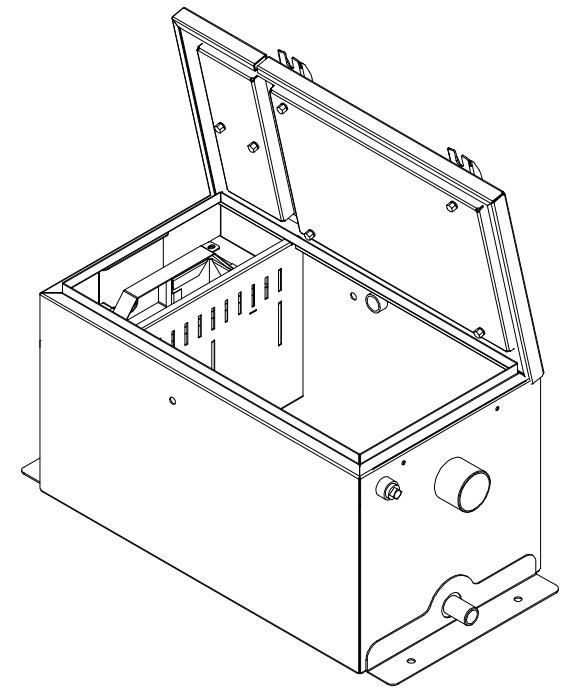
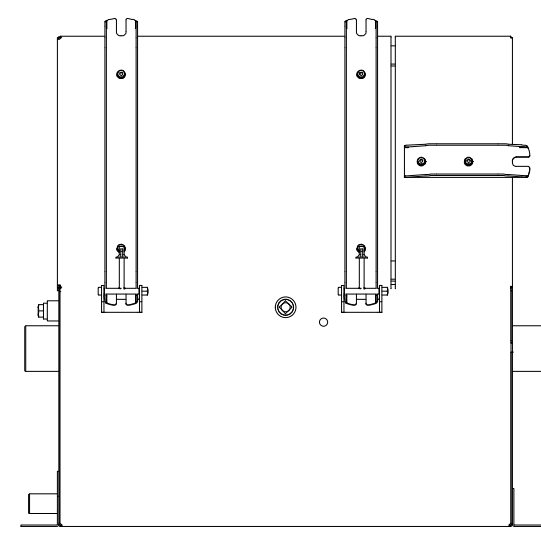
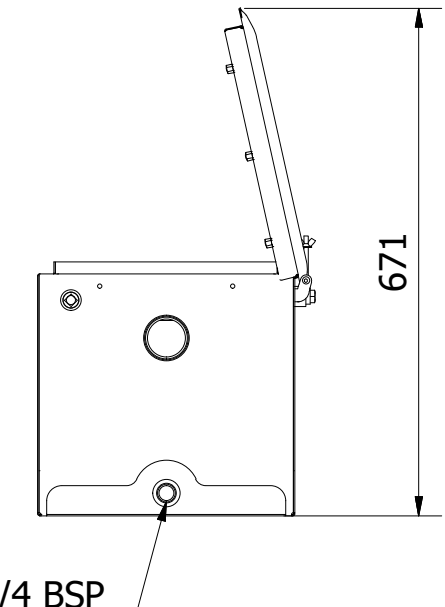
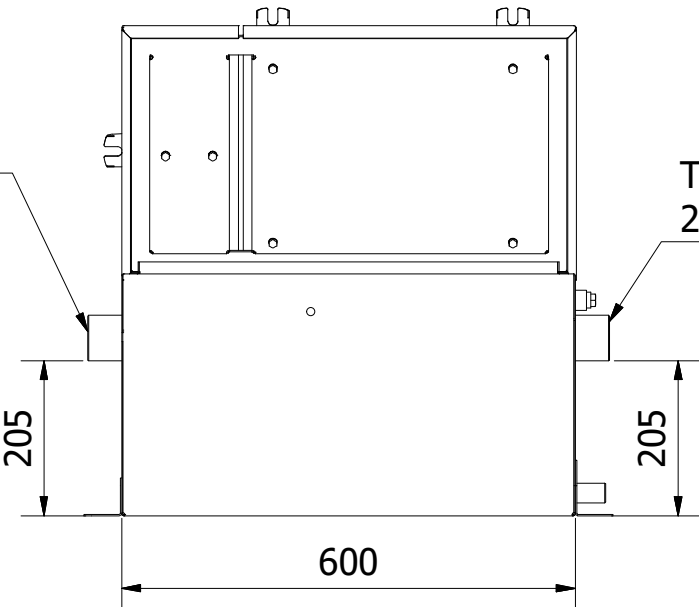
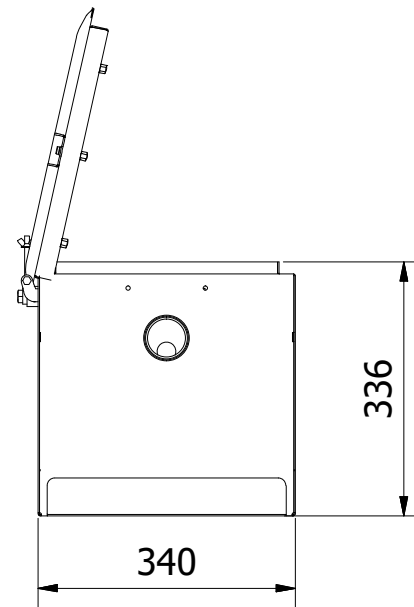
205

671

3/4 BSP
threaded connection

Notes:

1. Inlet and Outlet are threaded pipes 2"
2. Flexible 2" couplers are provided
3. Desludging point is via $\frac{3}{4}$ " threaded connection
4. Lids are marine type completely sealed
5. Standard material used is SS316 in 1.5mm thickness
6. Available in SS304 1.5mm thickness



6

5

4

3

2

1

D

D

C

C

B

B

A

A

6

5

4

3

2

1