

Combi Guardian®

"A smart solution for a big problem"



GREASE REMOVAL UNIT (STEAM OVENS & WOKS)



Traps grease and food waste

Automatically separates & removes fat from oven

3mm Solids Filtration as standard

Stainless steel construction

Automatic wash down as standard

Easy to install & maintain

Collected waste can be recycled

Programmable logic control

Full customer support

Up to 3 years warranty

Side access to basket & wiper blade

Fits under most ovens

FOUR-STAGE OPERATION SYSTEM

STAGE 1 Solids Collection

Wastewater from the kitchen is directed through the inlet of the **Grease Guardian®** where a removable strainer basket collects any solid debris.

STAGE 2 Grease & Oil Separation

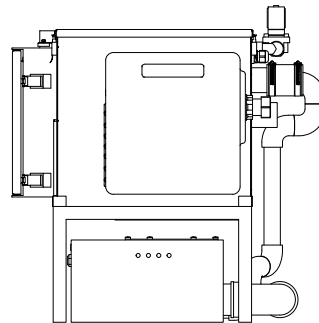
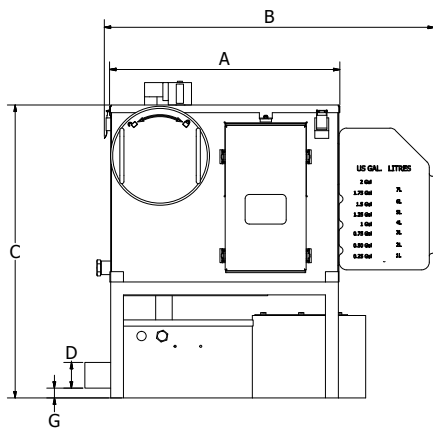
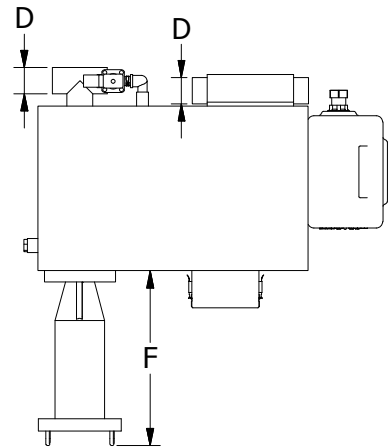
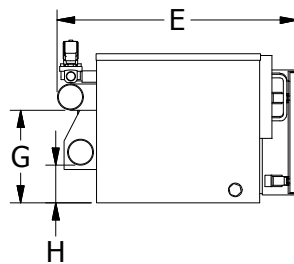
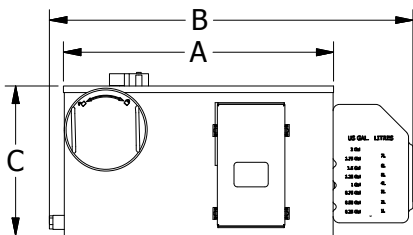
Grease in the wastewater floats to the surface and is trapped while the clear water leaves the unit and enters the drainage system.

STAGE 3 Self Cleaning & Grease Removal

The PLC programmed heating element is activated to liquefy grease, which is then removed by the skimming drum and deposited into a portable container for recycling. Can be connected to: pot and single bowl sink fixtures.

STAGE 4 Automatic Spray System

An automatic spray system activates to clean unit and replenish water level for continuous skimming of grease*.



Low Inlet Pump System

Model	Length (A) INCLUDES CONTAINER	Length (B) TANK ONLY	Height (C)	Inlet/Outlet (D)	Width (E) INCLUDES PANEL	Basket (F) CLEARANCE NEEDED	Inlet Height (G) INLET	Outlet Height (H) OUTLET	Max Flow
GGX7(C)	662	443	344	48	539	405	221	151	0.5 l/s
GGX7(C) with pump	662	443	605	48	539	405	20	412	0.5 l/s
GGX15(C)	842	623	346	60	557	405	215	87	1.0 l/s

All dimensions in mm.

Specification: Automatic grease removal unit (AGRU) with built in automatic grease removal and dry, front-loading solids strainer. 16 Gauge 304 Bright Finish Stainless Steel. Sealed, Stainless Steel Top. 25 Watt, 230v; 50Hz Motor. 600-Watt Heater with Thermal Cut Out. User friendly Logic Controller with Backlit Display. Skimming Drum is capable of skimming 5 litres per hour. Can be connected to combi ovens. Automatic solenoid valve for spray wash as standard. Please note dimensions are subject to change without notice.

* Warm water connection required

