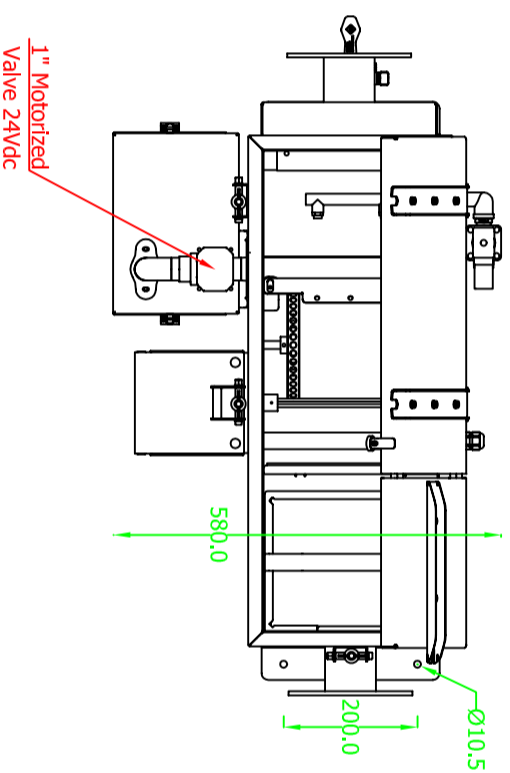
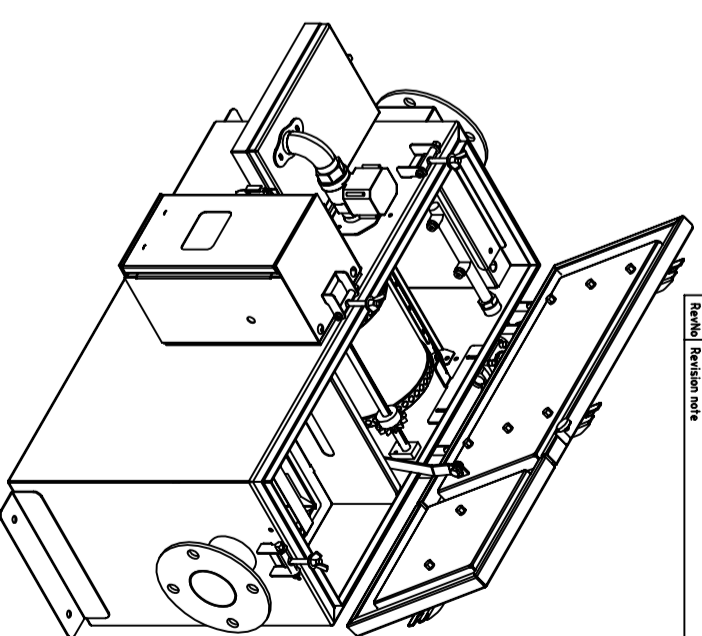


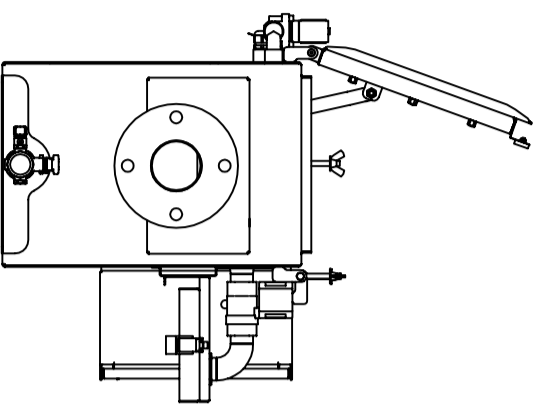
ISO BACK



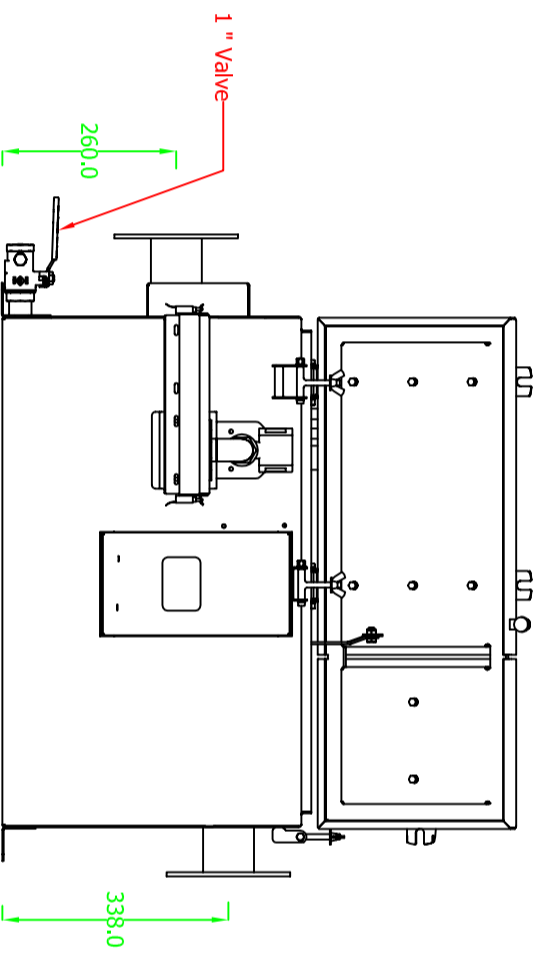
FRONT ELEVATION



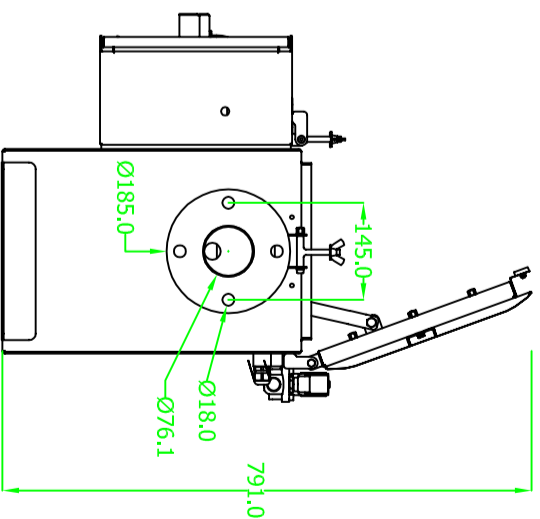
ISO FRONT



END - OUTLET



FRONT ELEVATION



END - INLET

Notes

1. Inlet and Outlet are for DN65 PN16 flanges
2. Desludging point is via 1" FF Valve QT
3. A motorised 24V ac valve closes the passage of the oil
4. The motorised valve opens when the unit is in skimming operation
5. Lids are marine type completely sealed
7. Standard material used is SS316 in 2.0mm thickness
9. Washing to be provided with hot water (preferably) at 3ATM
10. 230V operating voltage

Item#	Quantity	Title/Name, designation, material, dimension etc	Article No./Reference
Designed by	Checked by	Approved by - date	Date
CAIARD	Gdiorgno		12-12-2018
File name		Scale	
D4M		1:1	
FM Environmental (Malta) Ltd			Edition
			0
			Sheet
			1/1