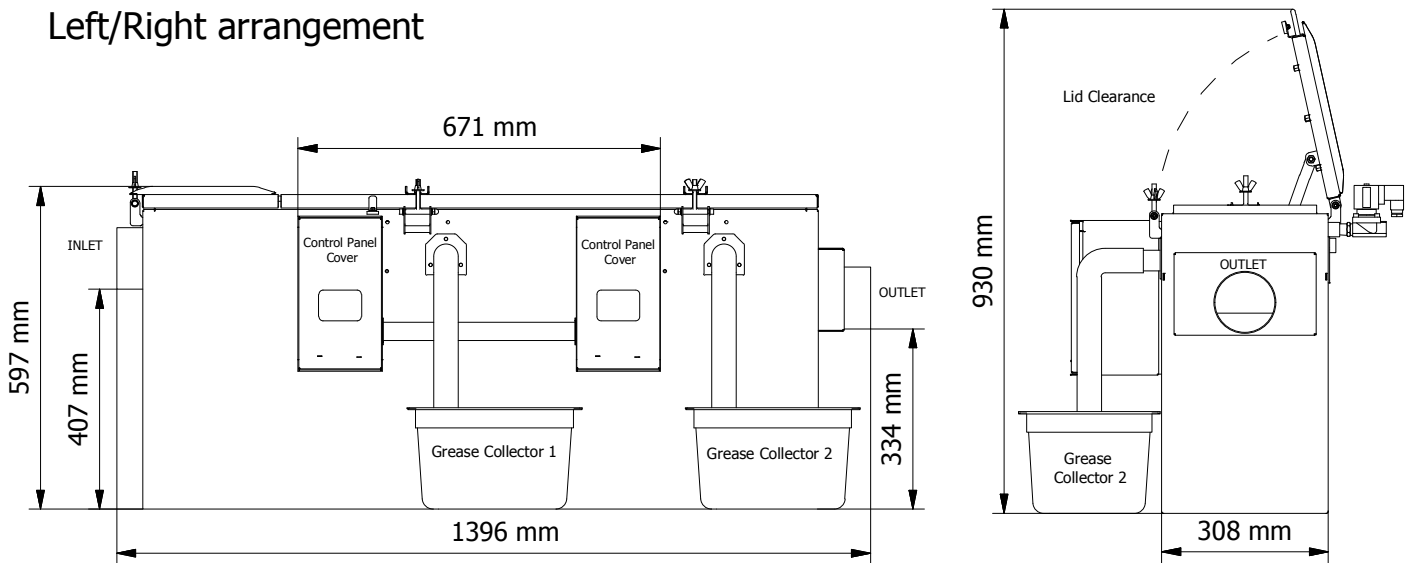
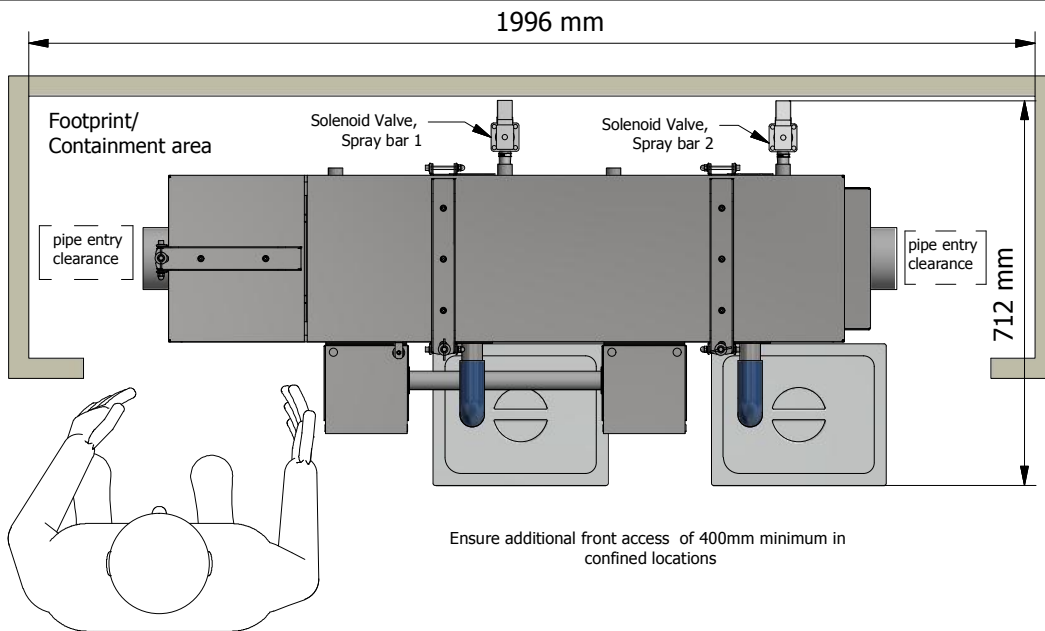
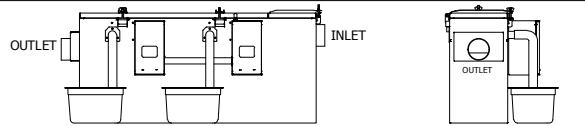


D5 I.S. Grease Guardian 230VAC Specifications

Left/Right arrangement



Right/Left Arrangement
All dimensions to be mirrored
for Right/Left Arrangement



Standard Features

- Automatic grease removal drums x 2
- Internal Strainer for solids (I.S.)
- Grease heating system
- PLC controller with LCD notifications
- Energy saving mode
- Building Management Control(zero volt contact for power status)
- Quick Fit rubber couplings
- Automatic skimmer drum spray down
- 3 year guarantee

Exclusions:

- RCD, IP socket, or any electrical supply devices beyond mains cord/plug as supplied.
- Pipework beyond inlet/outlet couplings /ventilation piping

- Options: by FM Environmental on request:
- Tank support frame
 - Upstream coarse solids strainer modules

Key Installation Notes:

Allow for the minimum clearances shown, including clearance for pipe connections and user access to front of unit

Unit should be plumbed at a gravity fall (1:40 for maximum performance)

Control panel should be fully accessible to service personnel

Electrical supply is single phase. An RCD/ELCB rated 30mA must be installed for all Grease Guardian electrical supplies

Observe all local plumbing regulations for pipe venting, trapping.
Observe all local safety and hygiene regulations

Note: Not to be treated as an installation guide. Installation guide in full is issued on supply of system.

TECHNICAL DATA

Weight	80 KG
Material	Exterior, 16 gauge stainless steel, bright finish
Interior	Stainless Steel and Acetal Plastic Components
Tank Capacity	150 litres
Maximum Flow Rate	3.5 litres per second
Number of skimming drums	2
Solid Strainer Capacity	14 litres
Skimming Rate	up to 12 litres hourly
water supply requirements	0.75 lit/s @ 3-6 bar (40-60 C)
Progammng/Control	24 hour, 7 day, multi functional digital
Electrical Load	230VAC, 2050 Watts 8.9 AMPS