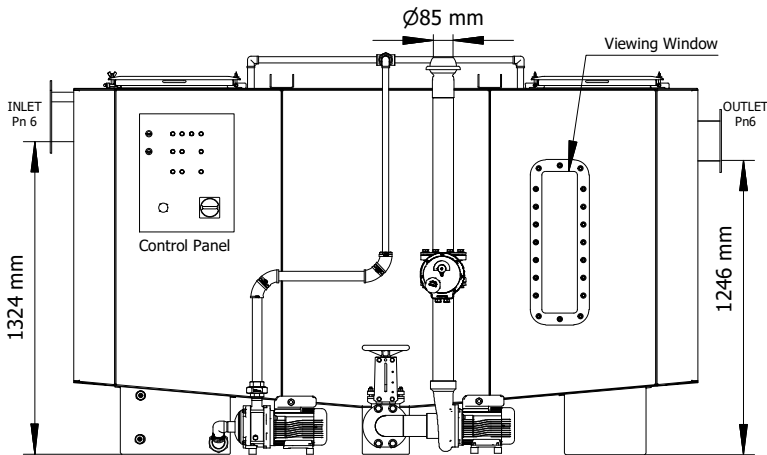
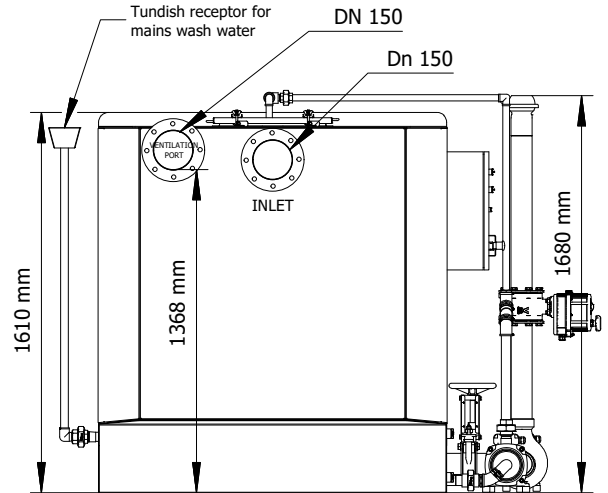


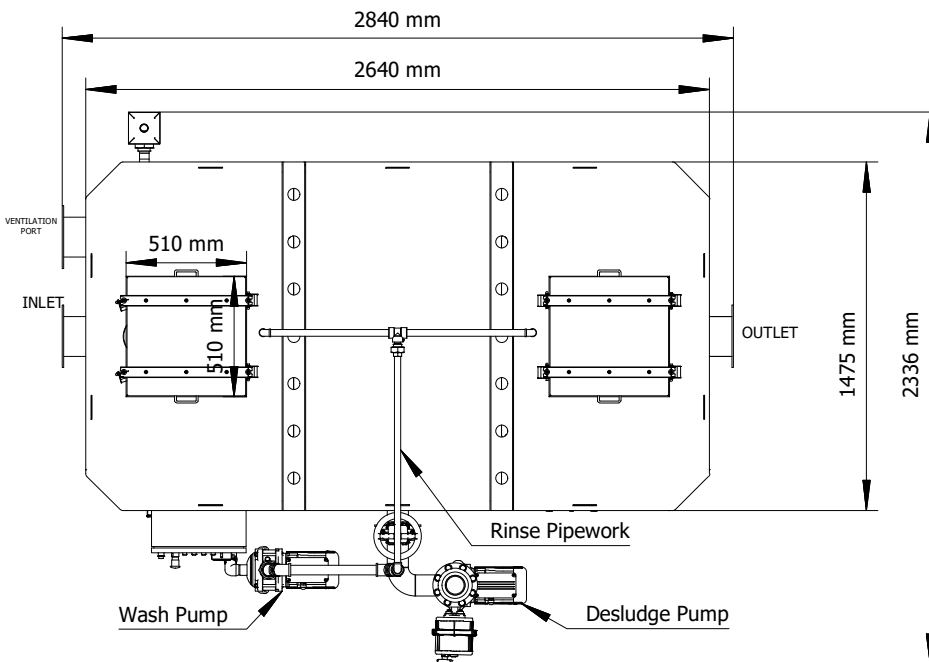
Front View



Left End View



Top View



TECHNICAL DATA

Tank Material	3mm, 304 stainless steel
Tank Capacity	3713 litres
Maximum Flow Rate	10 Litres per Second
Nominal Grease Retention	890 KG
Sludge Chamber Volume	1044 Litres
Grease Chamber Volume	2669 Lites
Meals Per Day General Catering	900-1500
Meals Per Day Restaurant	400-650
Meals Per Day Hotel	400-650

GG NS10-W-P Features

- Desludging Pump
- Desludging Column/Tanker Connection
- Wash Pump System with Spray Bar
- Ventilation Port
- Grease Viewing Window
- Flange Inlet and Outlet
- Base Skids
- Twin Manhole Access and covers