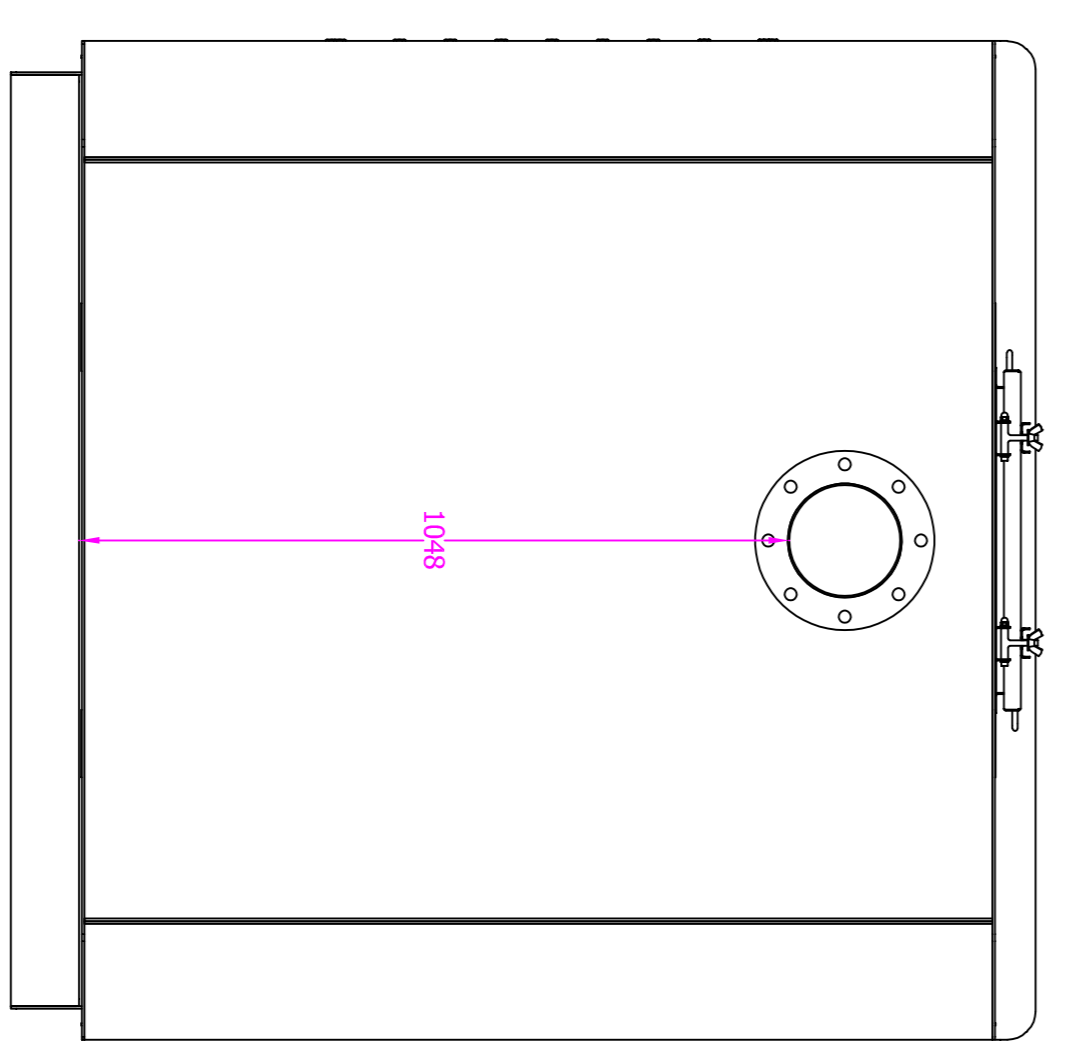
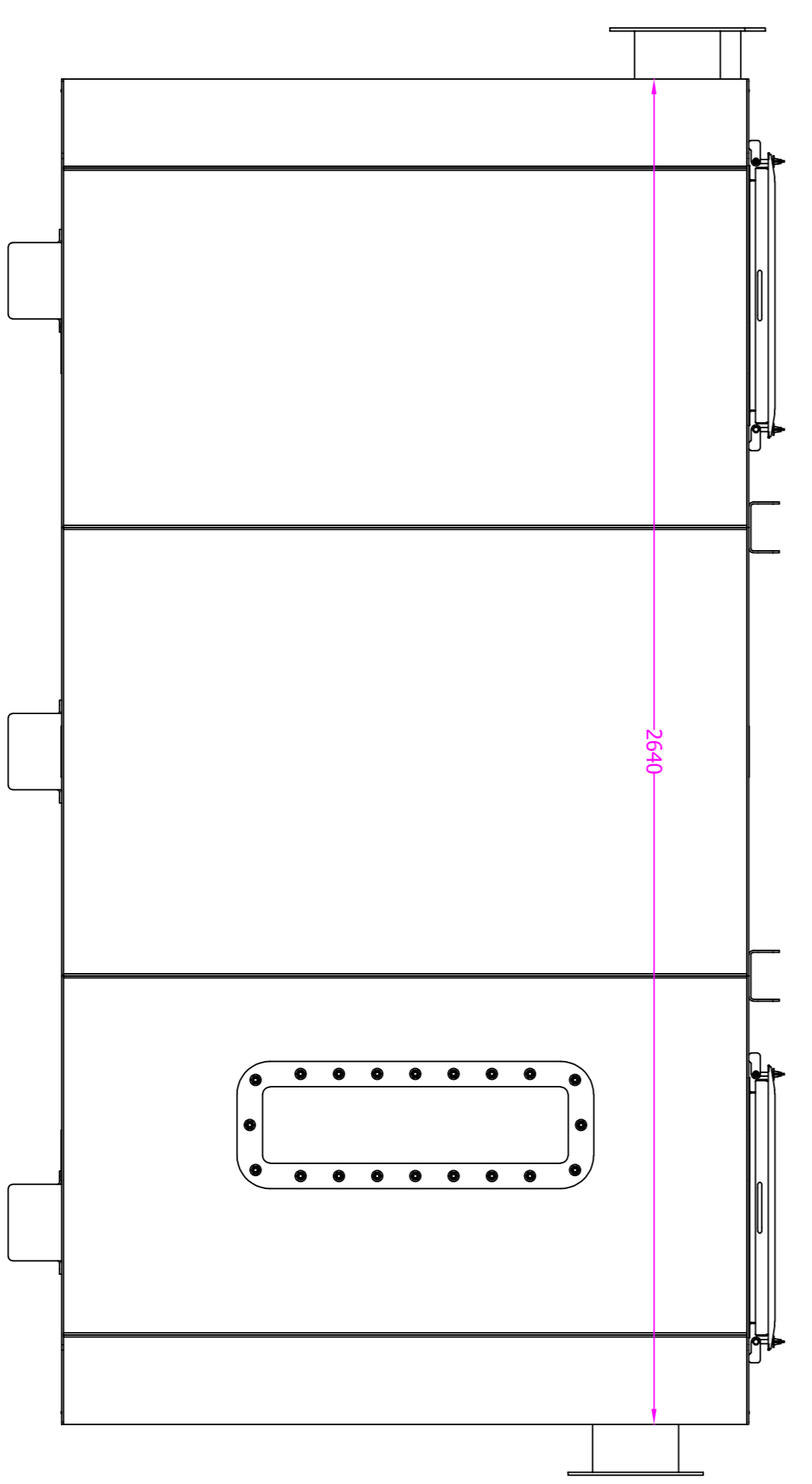
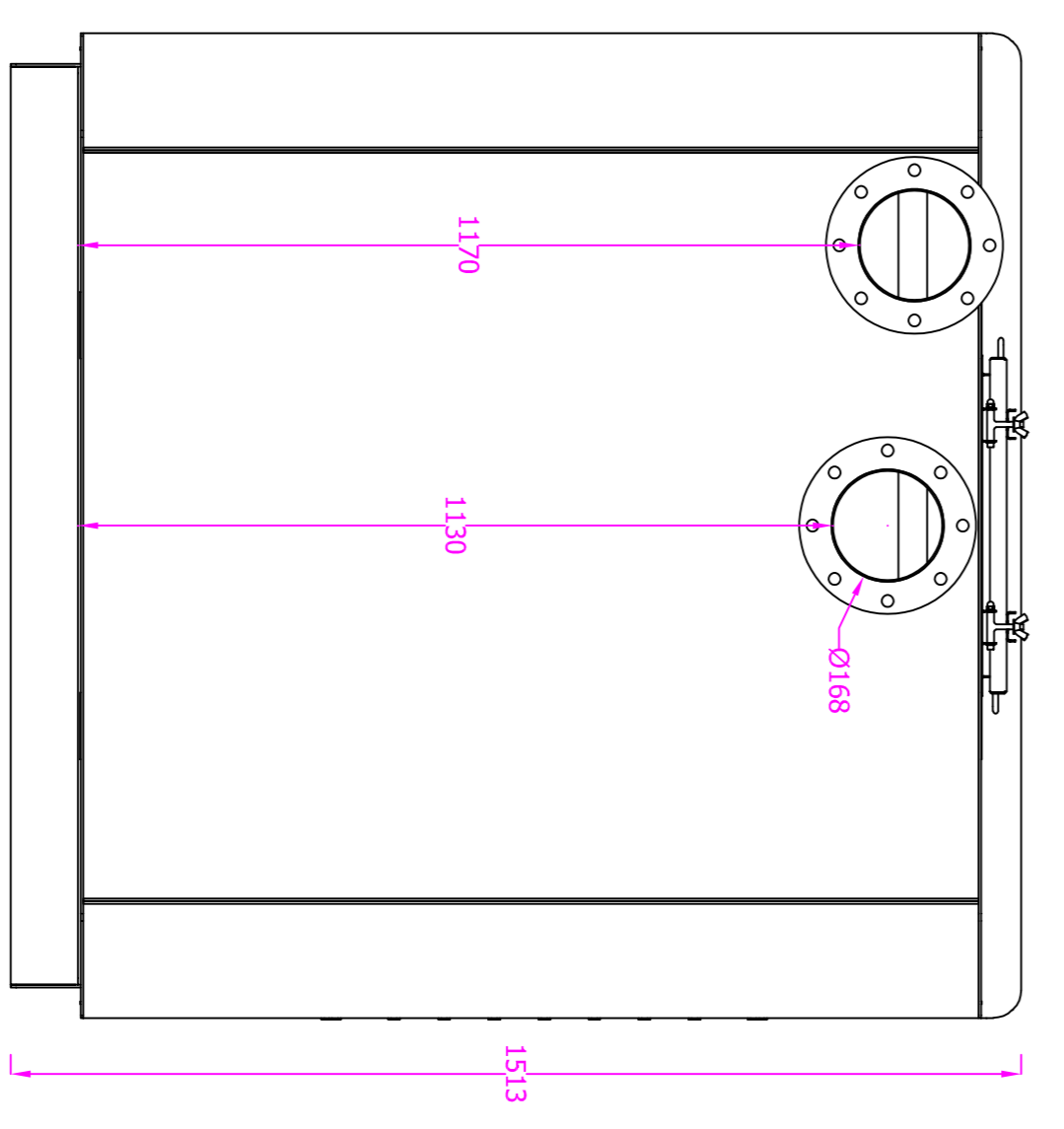


VOLUME = 4080 L



Itemref	Quantity	Title/Name, designation, material, dimension etc	Article No./Reference
Designed by C A159D	Checked by	Approved by - date	Date 17/12/2020
FM Environmental (Maltal) Ltd		Filename	Scale 1:1
NS10		Edition 0	Sheet 1/1