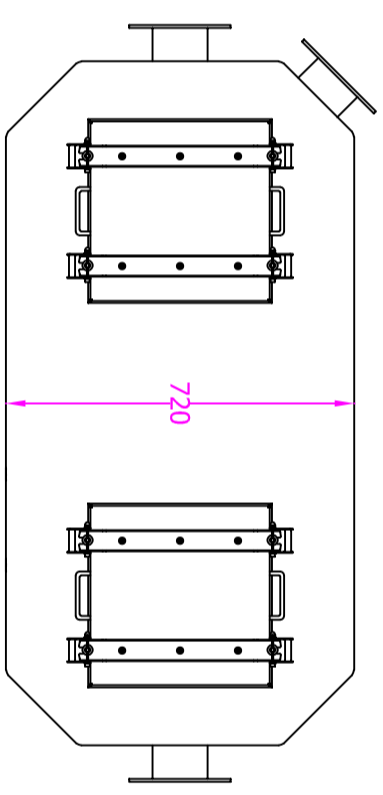
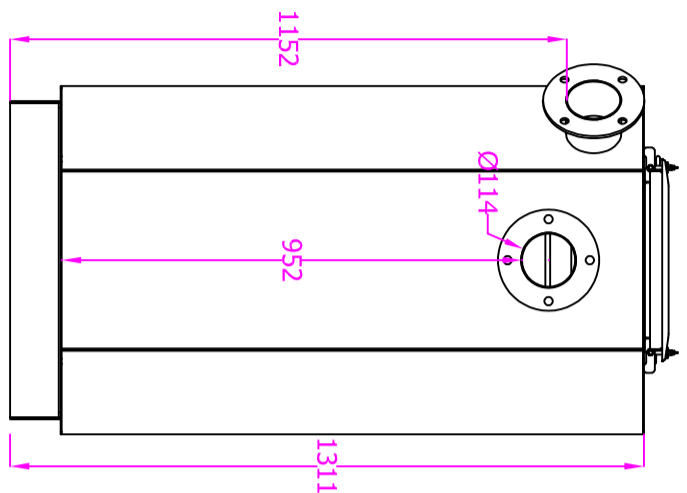


ISO - FRONT

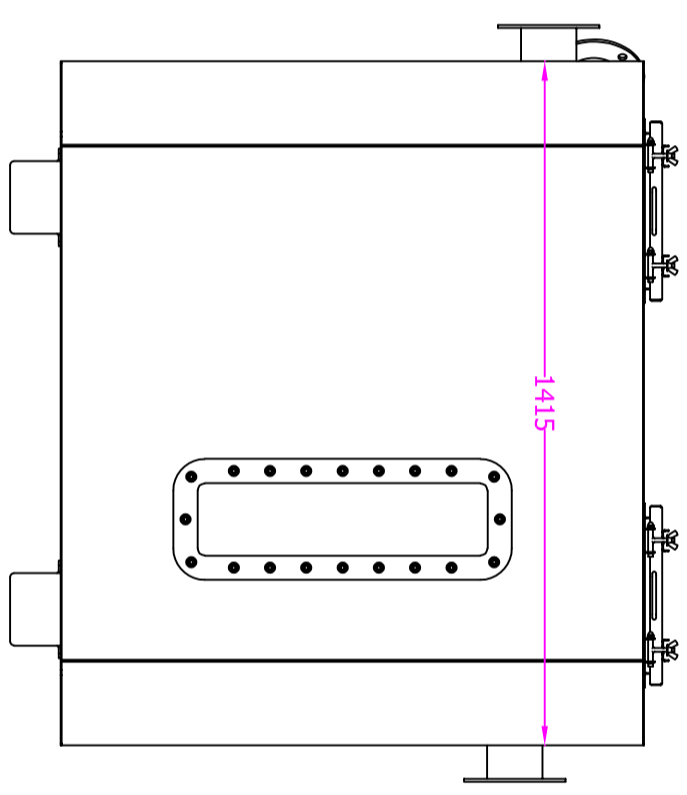


PLAN

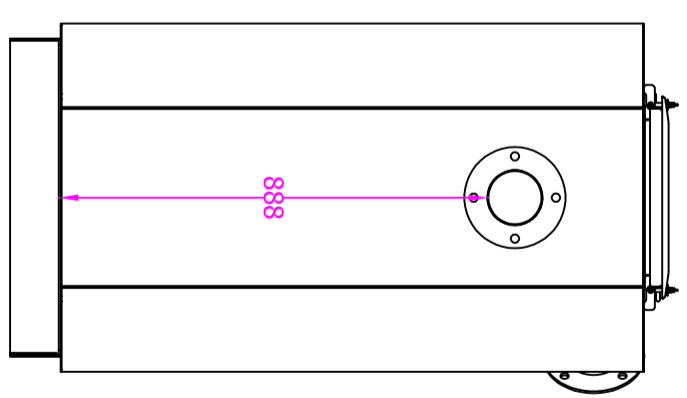
VOLUME = 900L



INLET SIDE



FRONT ELEVATION



OUTLET SIDE

Item no	Quantity	Title/Name, designation, material, dimension etc	Article No./Reference
Designed by CAH/and	Checked by	Approved by - date	Date 17/12/2020
FM Environmental (Malta) Ltd			NS2
Edition 0			Sheet 1/1