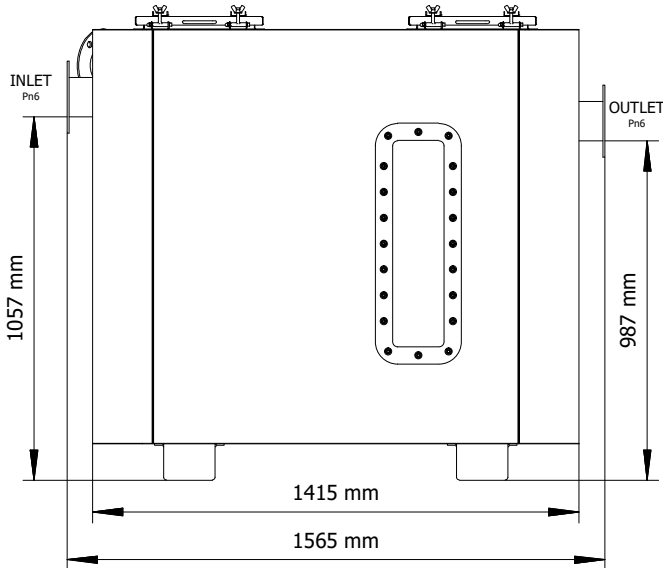
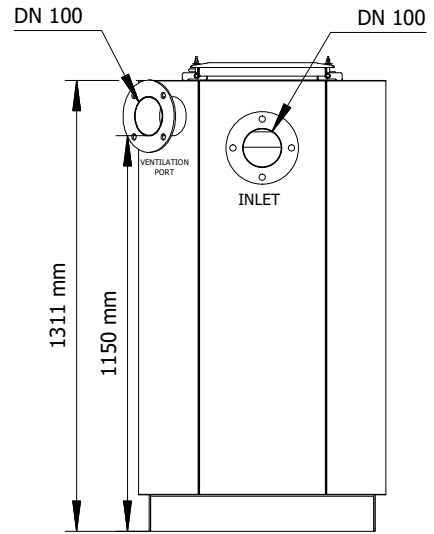


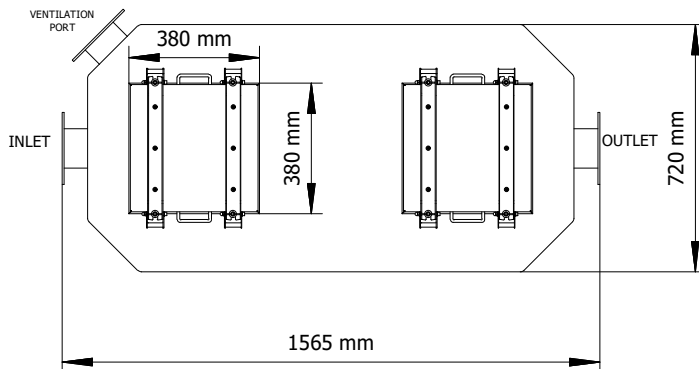
Front View



Left Side View



Top View



GG NS 2 Basic Features:

- Ventilation Port
- Grease Viewing Window
- Flange Inlet and Outlet
- Base Skids
- Twin Manhole Access and covers

Upgrade Versions Available:

1. Include Desludging Column: GGNS2-C
2. Include Pump System & Desludging Column: GGNS2-P

TECHNICAL DATA

Tank Material	2mm, 304 gauge stainless steel
Tank Capacity	745 litres
Maximum Flow Rate	2 Litres per Second
Nominal Grease Retention	178 KG
Sludge Chamber Volume	211 Litres
Grease Chamber Volume	534 Litres
Meals Per Day General Catering	1-300
Meals Per Day Restaurant	1-150
Meals Per Day Hotel	1-100