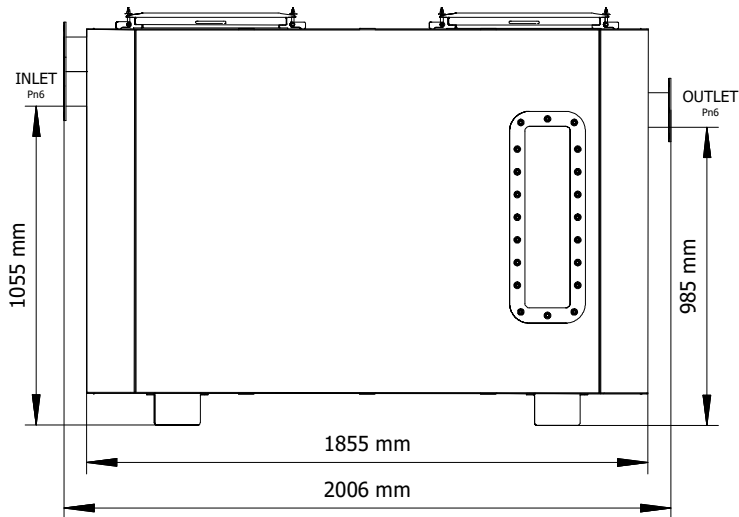
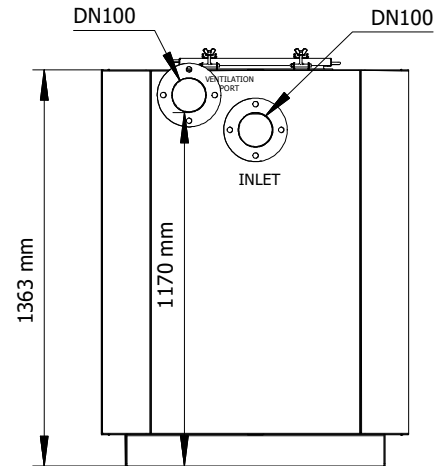


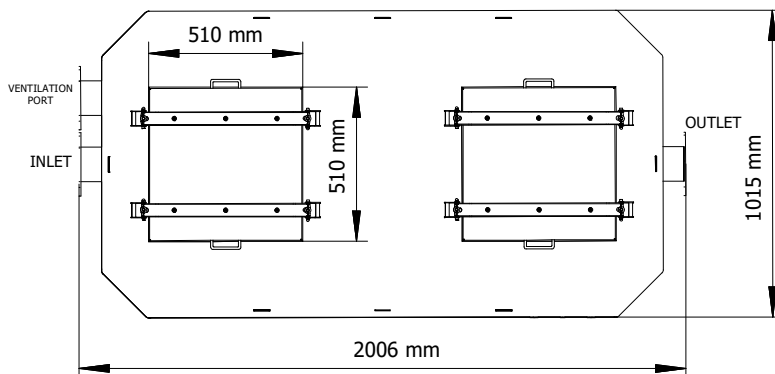
Front View



Left Side View



Top View



TECHNICAL DATA

Tank Material	2mm, 304 stainless steel
Tank Capacity	1451 litres
Maximum Flow Rate	4 Litres per Second
Nominal Grease Retention	327 KG
Sludge Chamber Volume	470 Litres
Grease Chamber Volume	981 Litres
Meals Per Day General Catering	300-500
Meals Per Day Restaurant	150-300
Meals Per Day Hotel	100-250

GG NS 4 Basic Features:

- Ventilation Port
- Grease Viewing Window
- Flange Inlet and Outlet
- Base Skids
- Twin Manhole Access and covers

Upgrade Versions Available:

1. Include Desludging Column: GGNS4-C
2. Include Pump System & Desludging Column: GGNS4-P