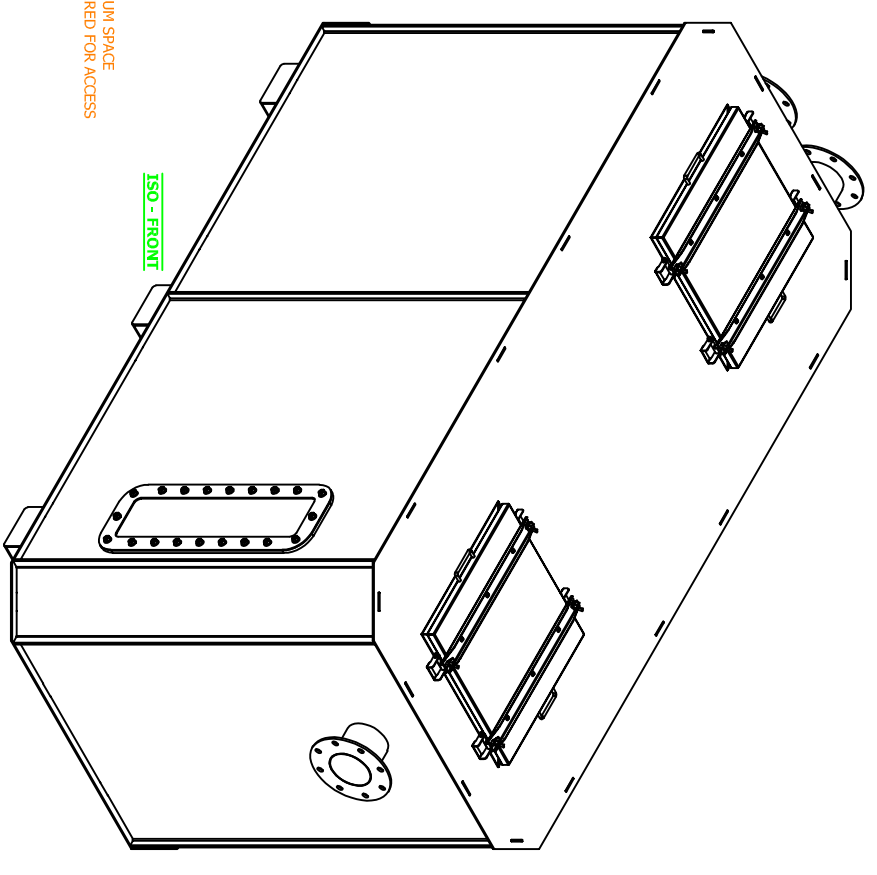
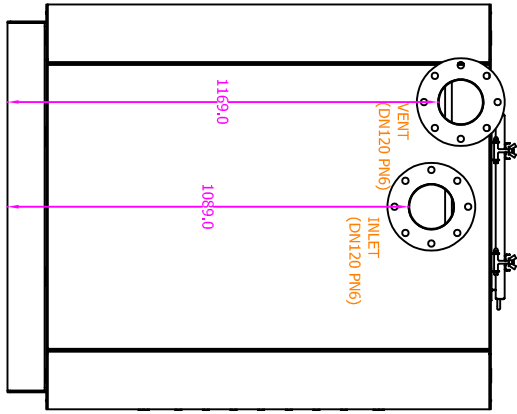


PLAN

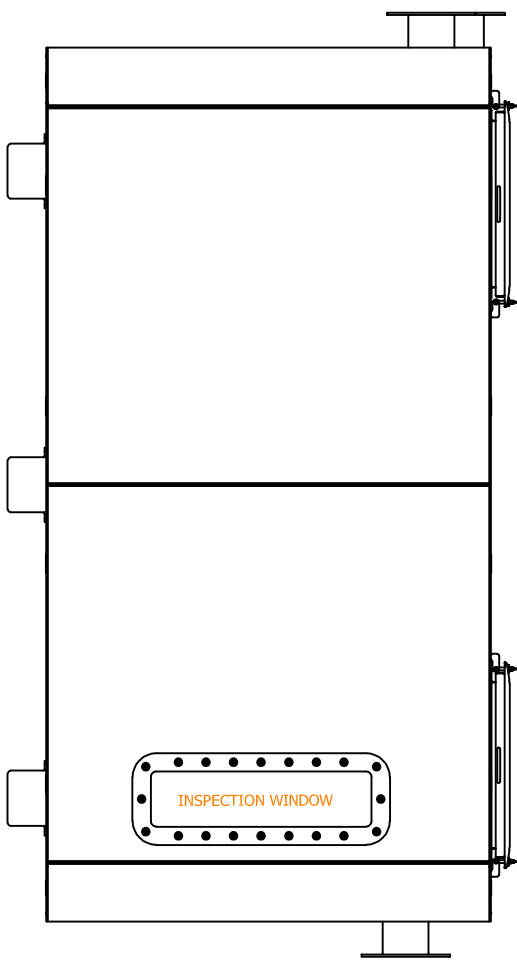


ISO - FRONT

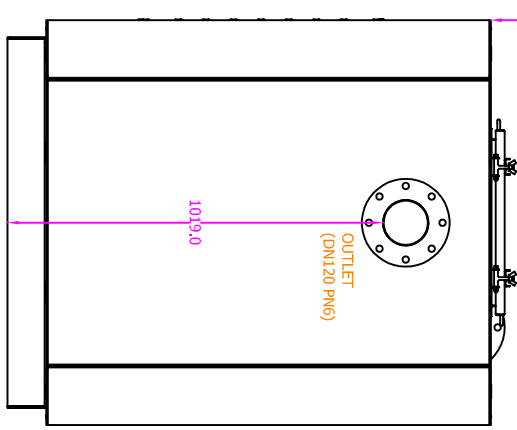
MINIMUM SPACE
REQUIRED FOR ACCESS



SIDE - INLET/VENT



FRONT ELEVATION



SIDE - OUTLET

VOLUME = 2400 L

Item#	Quantity	Title/Name, designation, material, dimension etc.	Article No./Reference
Designed by C.A.TTARD	Checked by GG	Approved by - date	Date 09/11/2020
Filename		Scale 1:1	
FM ENVIRONMENTAL (MALTA) LTD.			NS6
Edition FINAL			Sheet 1/1