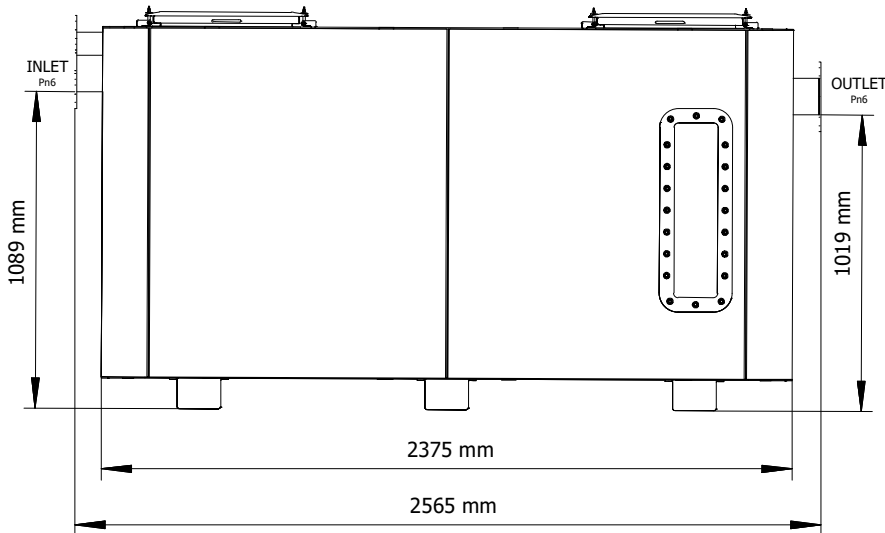
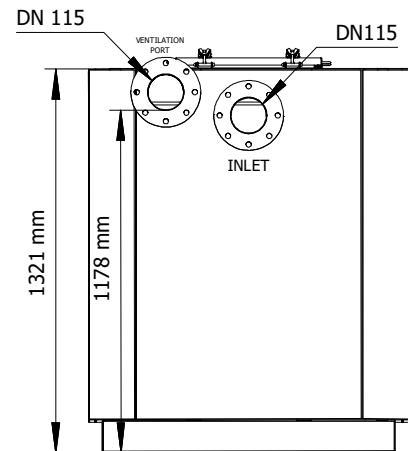


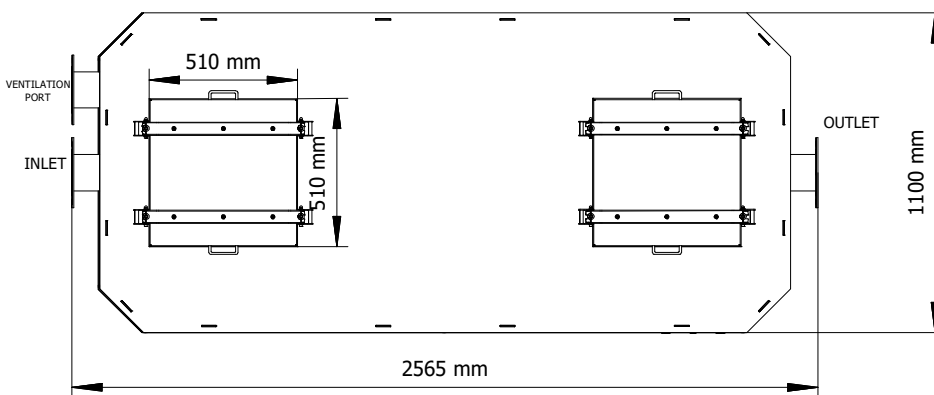
Front View



Left Side View



Top View



TECHNICAL DATA

Tank Material	2mm, 304 stainless steel
Tank Capacity	2185 litres
Maximum Flow Rate	6 Litres per Second
Nominal Grease Retention	518 KG
Sludge Chamber Volume	630 Litres
Grease Chamber Volume	1555 Lites
Meals Per Day General Catering	500-900
Meals Per Day Restaurant	300-400
Meals Per Day Hotel	250-400

GGNS 6 Basic Features:

- Ventilation Port
- Grease Viewing Window
- Flange Inlet and Outlet
- Base Skids
- Twin Manhole Access and covers

Upgrade Versions Available:

1. Include Desludging Column only: GGNS6-C
2. Include Automated Washdown only: GGNS6-W
3. Include 1 + 2: GGNS6-C-W
4. Include Pump out System +3: GGNS6-W-P
5. Include Recirculation Pump +4: GGNS6-W-P-R