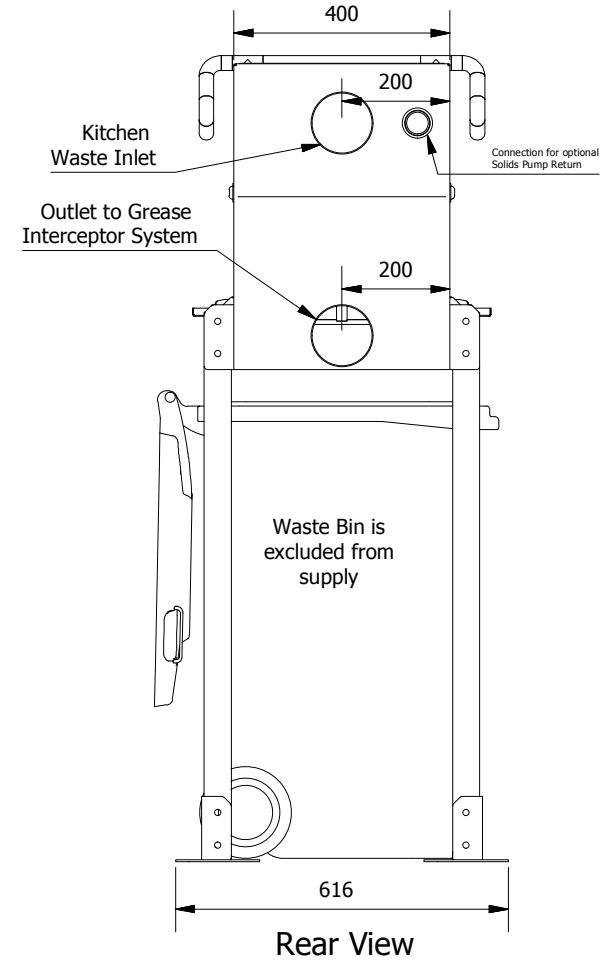
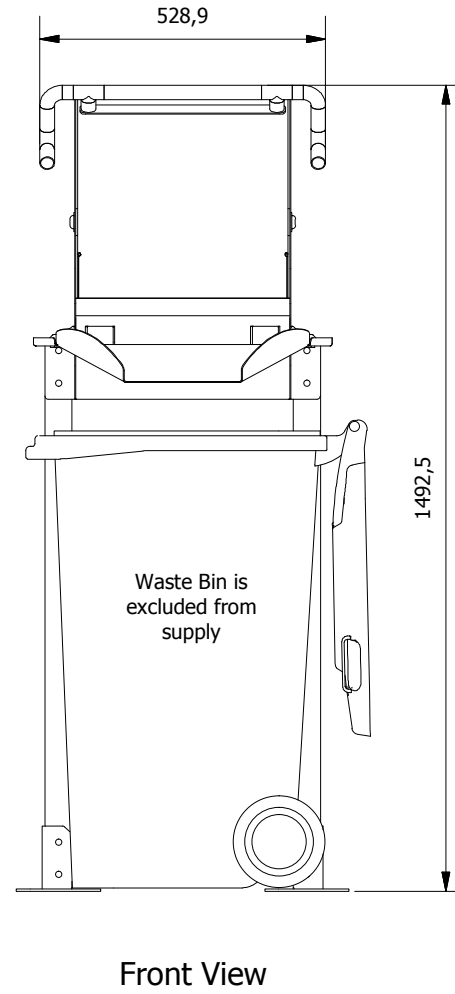
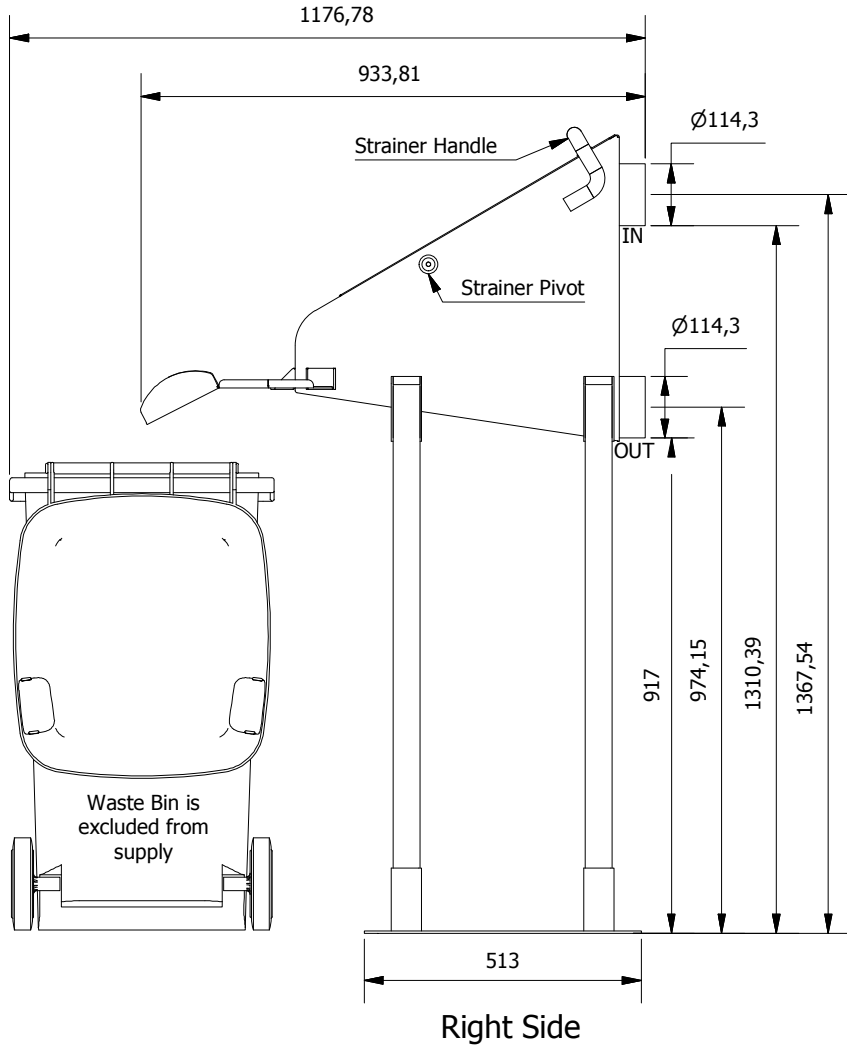


GGX TILTING FOODWASTER STRAINER

Dimensions in mm, Scale 1:14



| | | | | | |
|-----------------------|------------|-------------|-----------------------------|--------------------|--|
| DESIGNED BY cormac | CHECKED BY | APPROVED BY | DATE | DATE 07/11/2019 | |
| | | | Latest Tilting Box 07112019 | | |
| | | | ISSUE | SHEET 1 / 1 | |